

An Introduction to System Management Interface Forum & the PMBus[®] Consortium

October 2017

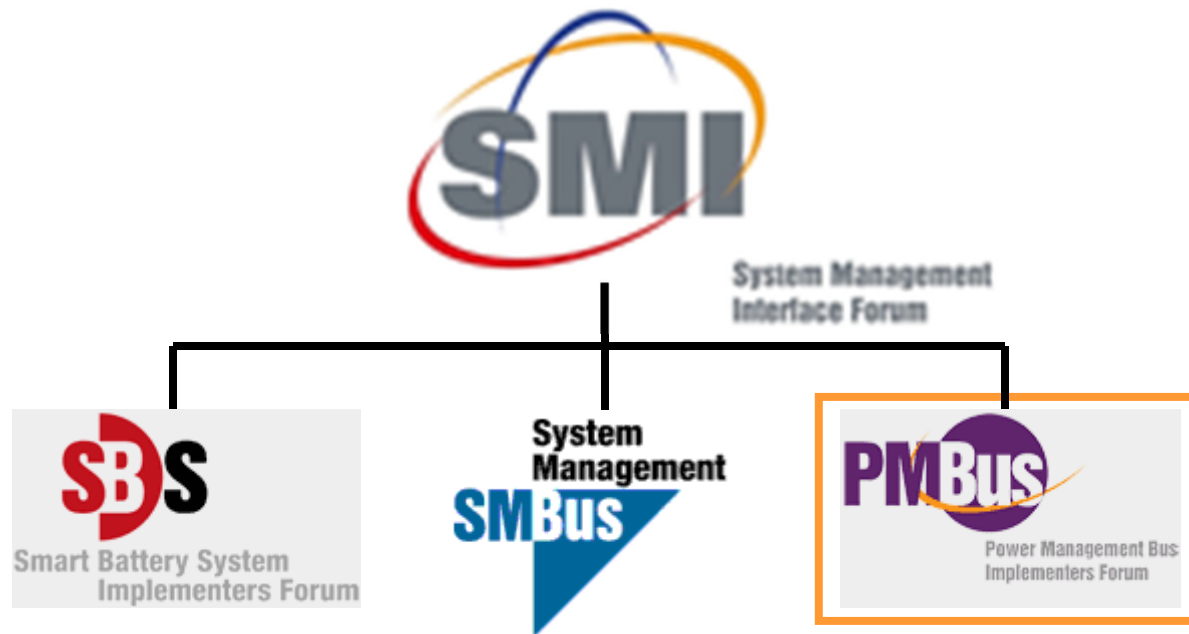


System Management Interface Forum



- A non-profit, Special Interest Group as defined by the IRS tax code
- Allows competing companies to collaborate (legally) without fear of retribution under federal restraint-of-trade laws
- Member companies pay nominal annual dues to support initiatives
- Managed by a Board of Directors elected from representatives of the member companies

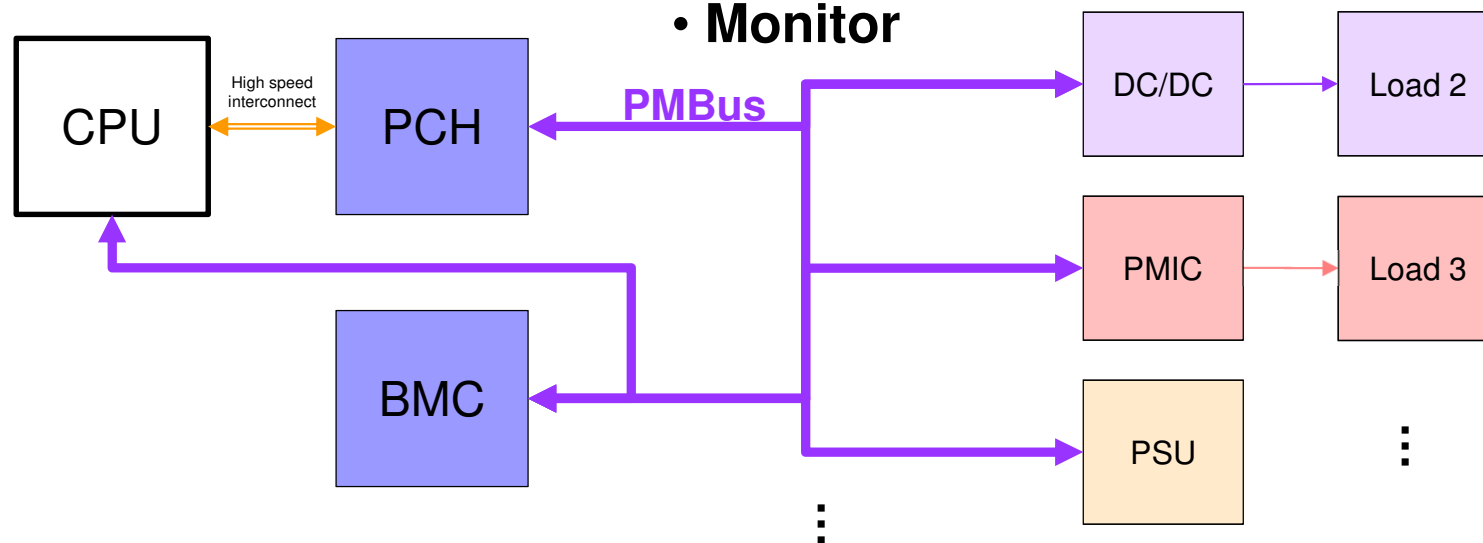
Support the advancement of a technology base which promotes Power Management and System Technologies implementations



What is PMBus?

Power Management Bus (PMBus) is a standardized protocol leveraging the SMBus physical layer for communicating with power conversion systems:

- **Configure**
- **Control**
- **Monitor**



Typical Simplified Server Block Diagram with PMBus™ support

- A continuously changing group of representatives from the member companies who contribute to the development and advancement of PMBus
- **Mission Statement:** To promote the worldwide smart management of power through universal standards to the financial benefit of the member companies
- **Target Audience**
 - FPGA, ASIC, SoC, Core processor manufacturers
 - OEM systems architects & designers
 - Power Supply Manufacturers
 - Power management solution providers

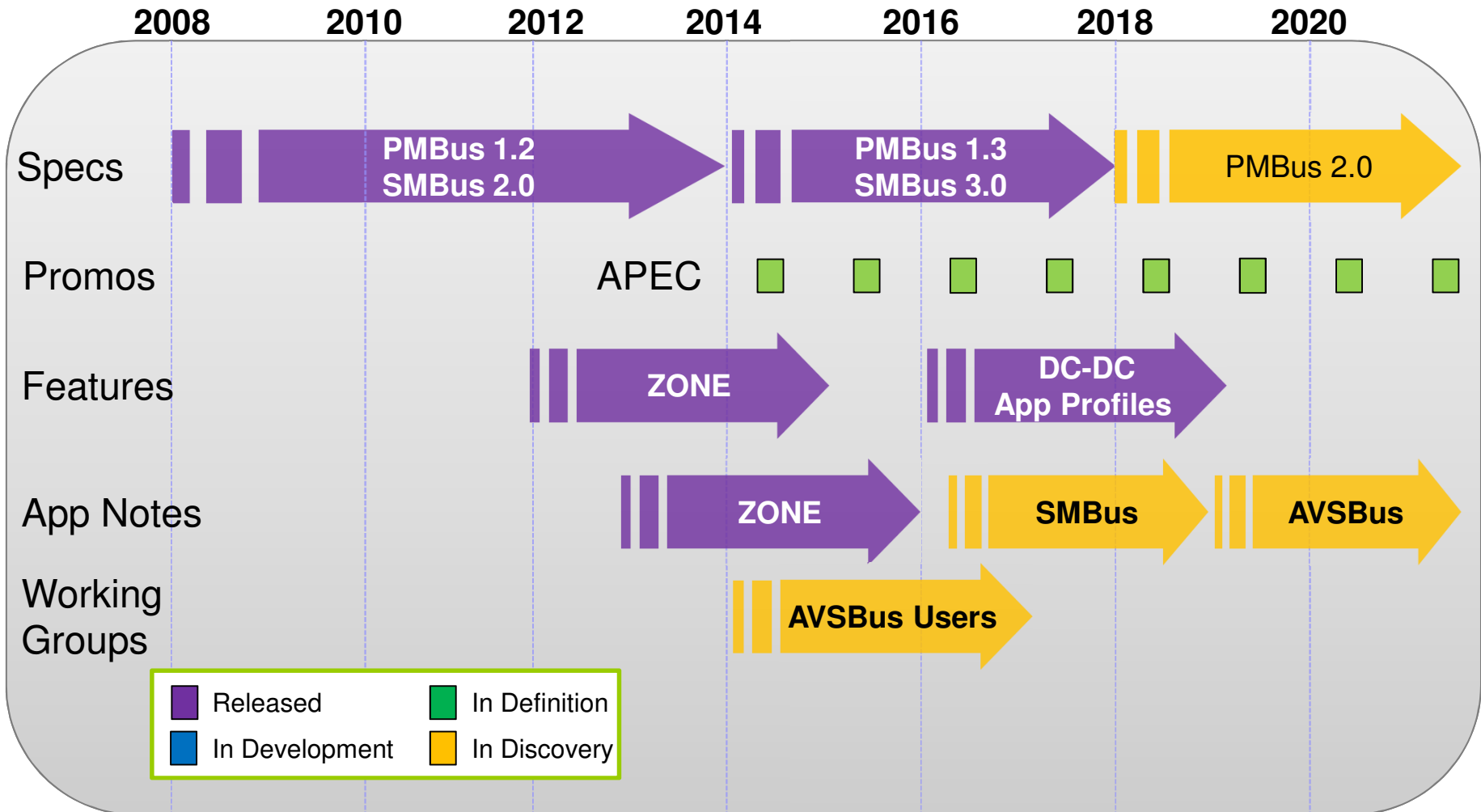


PMBus Working Group Activities

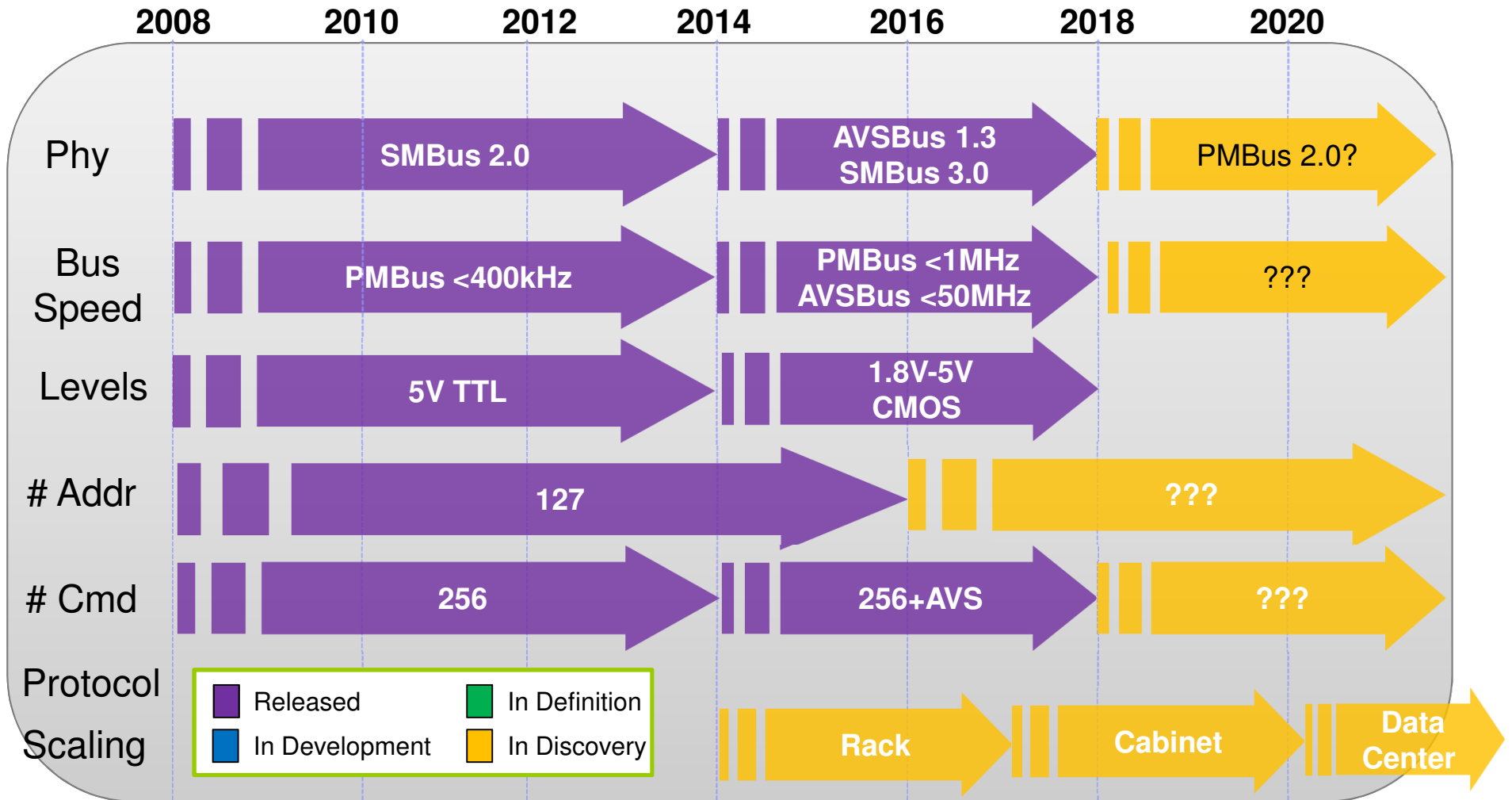


- Various committees composed of member company representatives with domain expertise in the areas of development
- Standing Committees
 - Specifications Development
 - Features Definitions
 - Application Notes
 - AVSBus™ Users
 - Promotion & Marketing

Technology Roadmap



Activity Roadmap





40 Members and growing ...



Quality Components & Systems PTE Ltd.



Two Membership Levels

	Full member	Tools member [*]
Annual dues	\$3000	\$500
License for logo and name	Yes	Yes
Product listing on web	In product section	In tools section
Access to pre-release documents	Yes	No
Participation in working groups	Yes	No
Participation in PMBus hosted events	Yes	No
New product announcements in newsletter	Yes	No

*** Eligibility for tools membership**

Tools membership is intended for companies that specialize in providing software or hardware tools for development and testing, including development and testing of SMIF protocols (like PMBus, SMBus, SBS) and similar, related, or combined protocols (like I2C and IPMI).

A company that manufactures OEM or end-user products for production, not just for development and testing, is not eligible for tools membership, even if that company also provides tools.

Tools membership eligibility is determined by the SMIF board of directors, whose decision is final.

Your membership and active participation is encouraged to contribute to the continued adoption & success of

